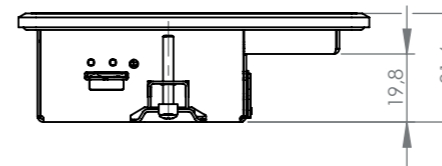
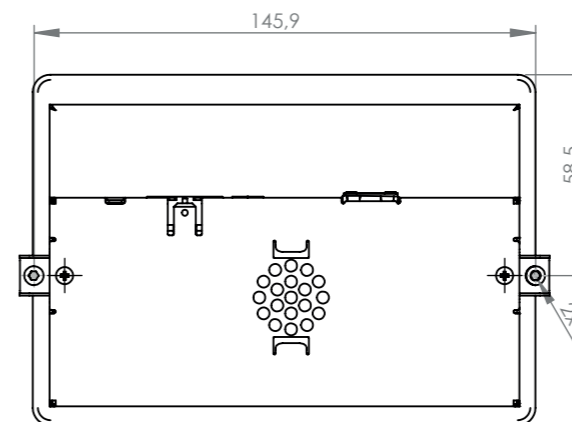
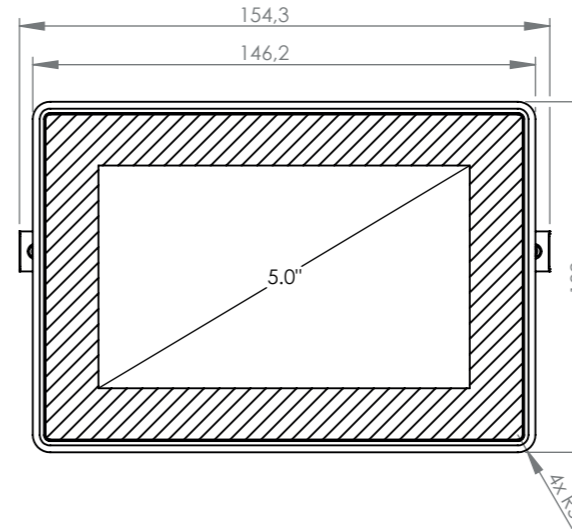
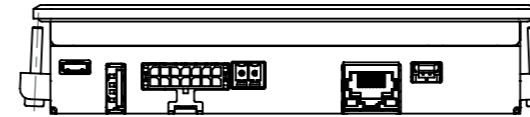


SOLUTIONS THAT COMPLETE!

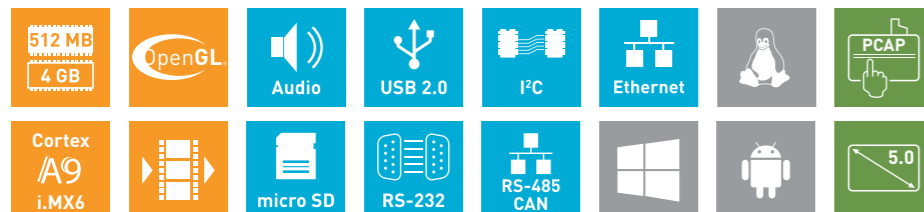
GARZ  **FRICKE**

SANTINO LT 5.0 BX PCT
ARM Cortex-A9 Panel Mount



TECHNICAL SPECIFICATION
SANTINO LT 5.0 BX PCT

CPU	x1	x2L
CPU Type	i.MX6Solo	i.MX6DualLite
Core Class	ARM Cortex - A9	
Core Clock	1 GHz	
Features	NEON for SIMD media acceleration and VFP operations; Multi-format HD 1080p video decoder and HD 720p video encoder hardware engine; L1 cache, 32 KB for instruction and data caches; Unified 512 KB L2 cache	
HW Accelerators	OpenGL ES 2.0, OpenVG 1.1	
RTC	Accuracy: +/- 30 ppm at 25°C	
Memory		
eMMC Flash	4 GB eMMC	
RAM Standard	512 MB 32 bit DDR3L	1 GB 32 bit DDR3L
Micro SD Card Slot	4 bit MMC/SDIO/SD/SDHC	
Operating Systems		
Supported OS	Windows Embedded Compact 7/2013, Linux Yocto, Android	
Communication Interfaces		
Network	1x 10/100 Mbit/s Ethernet (RJ-45)	
RS-485	1x RS-485 (Half duplex)	
RS-232	1x RS-232 (RX/TX/CTS/RTS)	
Synchronous Serial Interfaces	I ² C, Matrix keypad up to 4 x 4	
High-Speed USB 2.0	1x 480 Mbit/s Host (Type A), 1x 480 Mbit/s OTG (Type Micro-AB)	
CAN Fieldbus	1x CAN (ISO/DIS 11898)	
Audio		
Speaker output	1x speaker (connector), 1.5 W RMS (8Ω)	
Audio Internal	1x speaker 1 W RMS (8Ω)	
Display and Touch		
Size	5 inch/125.95 mm	
Resolution	800 x 480 pixel	
Brightness	Typ. 1120 cd/m ²	
Backlight Lifetime	min. 50 000 h	
Viewing Angle	60°, 70°, 75°, 75° (UDRL)	
Color	24 bit (16.7 Mio. colors)	
Touch	projected capacitive multi touch	
Housing		
Metal Parts	1.4016 high quality steel 0.8 mm	
Front glass	2.8 mm chemically strengthened glass RAL 9005 Jet Black	
Device Dimensions		
W x H x D	154.3 x 102.0 x 31.6 mm	
Weight	391 g	
Power Supply		
Supply Voltage	Nom. 9 to 32 V DC	
Consumption	Typ. 7.1 W; max. 20.4 W	
Typical Environmental Conditions		
Storage Temp.	-20 to +70 °C	
Operating Temp.	0 to +60 °C	
Humidity	5 to 90 % RH	



Online support on www.garz-fricke.com

„This product can be modified by alternative assembly. Please contact us for available options.“