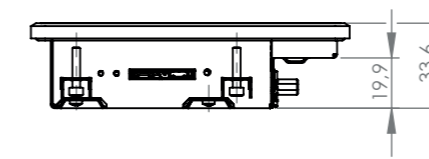
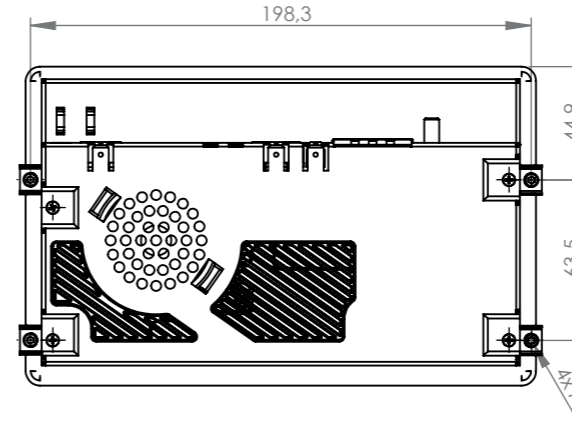
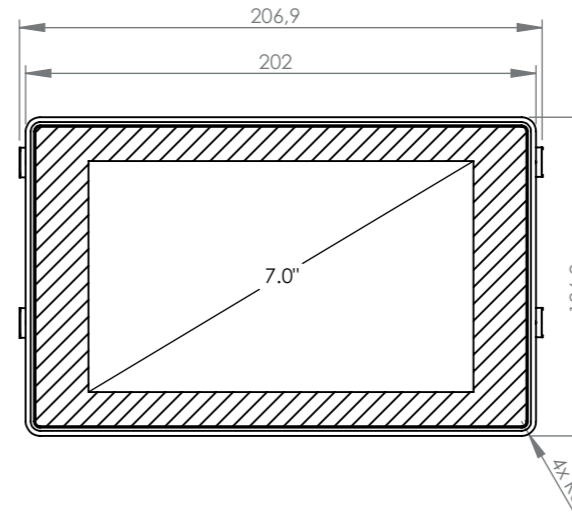
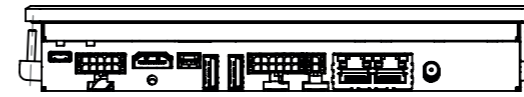
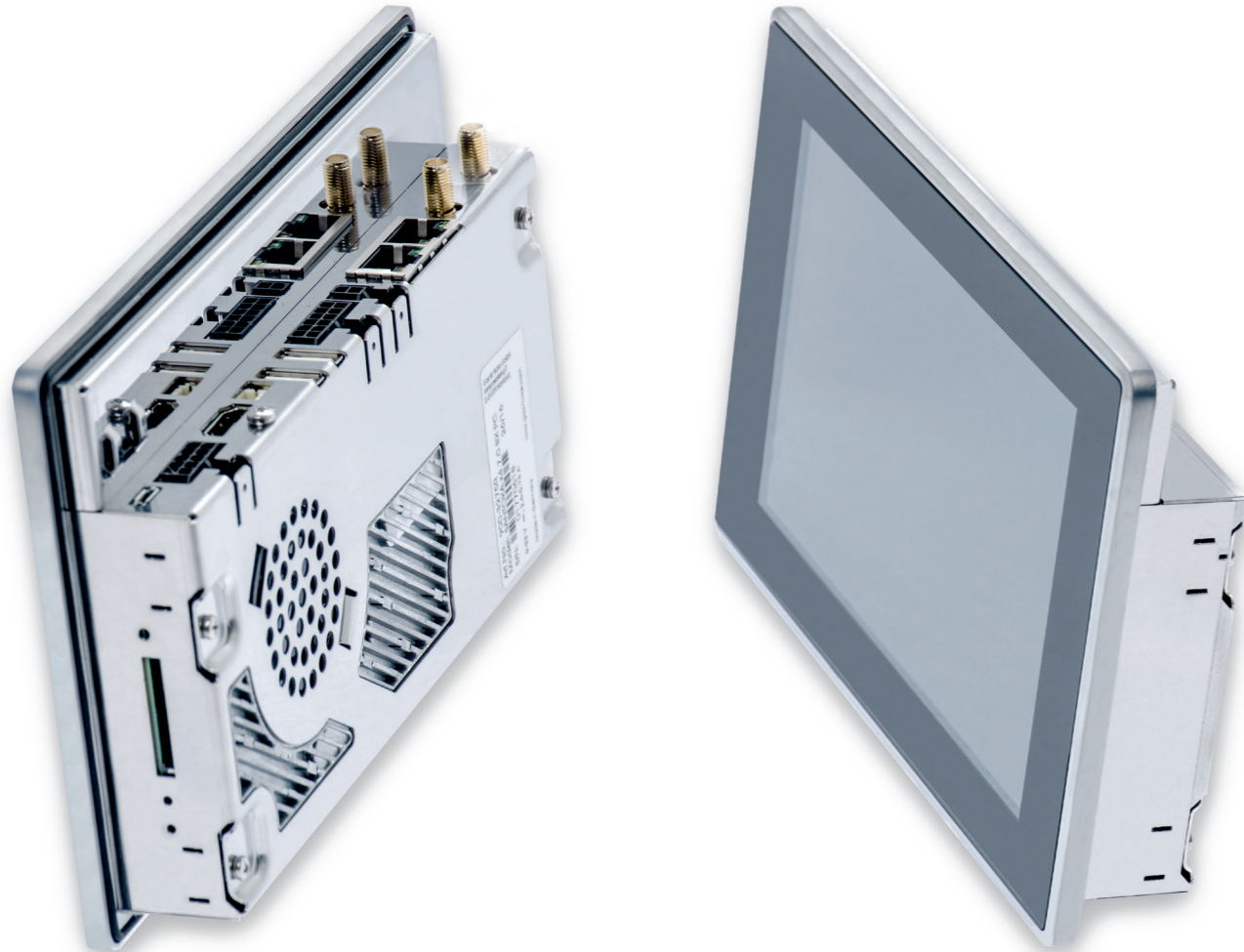


SANTOKA 7.0 BX PCT
ARM Cortex-A9 Panel Mount



TECHNICAL SPECIFICATION
SANTOKA 7.0 BX PCT

| | x1 | x2 |
|---|---|--|
| CPU | | |
| CPU Type | i.MX6Solo | i.MX6Dual |
| Core Class | ARM Cortex - A9 | |
| Core Clock | 1 GHz | |
| Features | NEON for SIMD media acceleration and VFP operations; Multi-format HD 1080p video decoder and HD 720p video encoder hardware engine; L1 cache, 32 KB for instruction, 32 KB for data | |
| | 512 KB L2 cache | 1 MB L2 cache |
| HW Accelerators | Open VG 1.1 (Emulated on 3D GPU) | Open VG 1.1 |
| RTC | Accuracy: +/- 30 ppm at 25°C | |
| Memory | | |
| eMMC Flash | 4 GB MLC eMMC | |
| RAM Standard | 1 GB 32 bit DDR3L | 1 GB 64 bit DDR3L |
| SD Card Slot | 4 bit MMC/SDIO/SD/SDHC | |
| Operating Systems | | |
| Supported OS | Linux Yocto, Android | |
| Communication Interfaces | | |
| Network | 2x 10/100 Mbit/s Ethernet (RJ-45) | |
| USB 2.0 | 2x 480 Mbit/s Host (Type A) 1x 480 Mbit/s OTG (Type Micro-AB) | |
| CAN Fieldbus / RS-485 | 1x CAN (ISO/DIS 11898) + 1x RS-485 | 1x CAN (ISO/DIS 11898) + 1x RS-485 galvanic isolated |
| RS-232 | 2x RS-232 (RX/TX/CTS/RTS) | |
| Synchronous Serial Interfaces | SPI up to 12 chip selects; I ² C; Matrix keypad up to 8 x 8 | |
| Wireless Communication | | |
| Wireless | WLAN 802.11 b/g/n; Bluetooth 4.0 LE | |
| Video | | |
| Video output | | Full HD HDMI |
| Audio | | |
| Speaker output | 1x speaker (connector), 1.5W RMS (8Ω) | |
| Audio Internal | 1x speaker 0.3 W RMS (8Ω) | |
| Display and Touch | | |
| Size | 7 inch/177.8 mm | |
| Resolution | 800 x 480 pixel | |
| Brightness | Typ. 400 cd/m ² | |
| Backlight Lifetime | Typ. 40 000 h | |
| Viewing Angle | 60°, 70°, 70°, 70° (UDRL) | |
| Color | 18 bit (262 K colors) | |
| Touch | projected capacitive multi touch | |
| Housing | | |
| Front | 3.0 mm toughened glass, RAL 9005 | |
| Frame | Aluminum, colorless anodized | |
| Rear | 1.4016 stainless steel, foam seal | |
| Ingress Protection | Front IP 66/Rear IP20 | |
| Device Dimensions | | |
| W x H x D | 206.9 x 126.2 x 33.6 mm | |
| Weight | 861 g | |
| Power Supply | | |
| Supply Voltage | Nom. 9 to 32 V DC | |
| Consumption | Typ. 5.3 W; max. 28.2 W | |
| Typical Environmental Conditions | | |
| Storage Temp. | -20 to +70 °C | |
| Operating Temp. | 0 to +60 °C | |
| Humidity | 5 to 90 % RH | |



Online support on www.garz-fricke.com

„This product can be modified by alternative assembly. Please contact us for available options.“