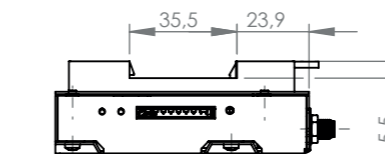
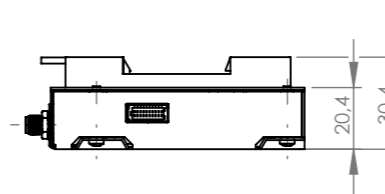
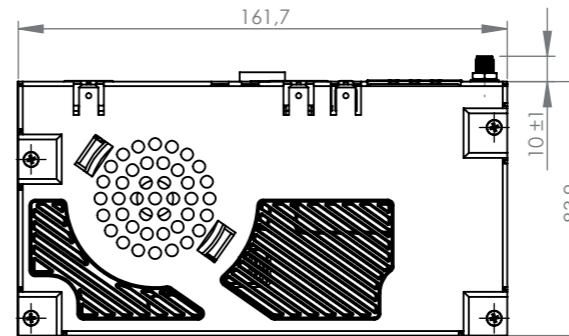
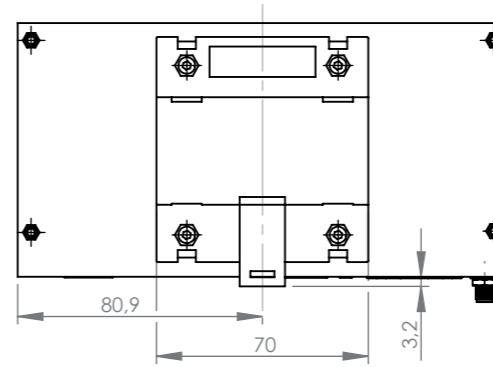
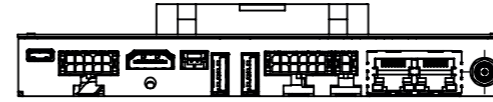


SOLUTIONS THAT COMPLETE!



SANTOKA DIN RAIL M2M DIN Rail Computer



TECHNICAL SPECIFICATION SANTOKA DIN Rail Series

CPU	x1	x2
CPU Type	i.MX6Solo	i.MX6Dual
Core Class	ARM Cortex - A9	
Core Clock	1 GHz	
Features	NEON for SIMD media acceleration and VFP operations; Multi-format HD 1080p video decoder and HD 720p video encoder hardware engine; L1 cache, 32 KB for instruction, 32 KB for data	
	512 KB L2 cache	1 MB L2 cache
HW Accelerators	OpenGL ES 2.0, OpenVG 1.1	
RTC	Accuracy: +/- 30 ppm at 25°C	
Memory		
eMMC Flash	4 GB MLC eMMC	
RAM Standard	1 GB 32 bit DDR3L	1 GB 64 bit DDR3L
SD Card Slot	4 bit MMC/SDIO/SD/SDHC	
Operating Systems		
Supported OS	Linux Yocto	
Communication Interfaces		
Network	2x 10/100 Mbit/s Ethernet (RJ-45)	
USB 2.0	2x 480 Mbit/s Host (Type A) 1x 480 Mbit/s OTG (Type Micro-AB)	
CAN Fieldbus / RS-485	1x CAN (ISO/DIS 11898) + 1x RS-485	1x CAN (ISO/DIS 11898) + 1x RS-485 galvanic isolated
RS-232	2x RS-232 (RX/TX/CTS/RTS)	
Synchronous Serial Interfaces	SPI up to 12 chip selects; I ² C; Matrix keypad up to 8 x 8	
Wireless Communication		
Wireless	Wifi 802.11 b/g/n; Bluetooth 4.0 LE	
Video		
Video output	Full HD HDMI	
Audio		
Speaker output	1x speaker (connector), 1.5W RMS (8Ω)	
Audio Internal	1x speaker connector parallel to external output	
Device Dimensions		
W x H x D	161.7 x 93.9 x 30.4 mm	
Weight	tbd.	
Power Supply		
Supply	Nom. 9 to 32 V DC	
Consumption	Typ. 3.3 W; max. 21.2 W	
Typical Environmental Conditions		
Storage Temp.	-20 to +70 °C	
Operating Temp.	0 to +60 °C	
Humidity	5 to 90 % RH	
Expansion Slot		
PCIe	PCIe Mini connector (for half size card)	
Housing		
Metal Parts	1.4016 high quality steel 0.8 mm	
Rail System	DIN EN 50 022 (top hat rail)	



Online support on www.garz-fricke.com