

DS SERIES

DS752LT5

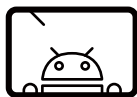
75" Ultra HD High Brightness 4,500 Nits Digital Signage



**SUNLIGHT
VIEWABLE IMAGE**



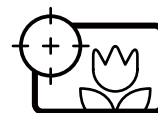
**4K UHD
RESOLUTION**



**BUILT-IN
MEDIA PLAYER**



**THERMAL
MANAGEMENT**



**TRUECOLOR™
CALIBRATED**

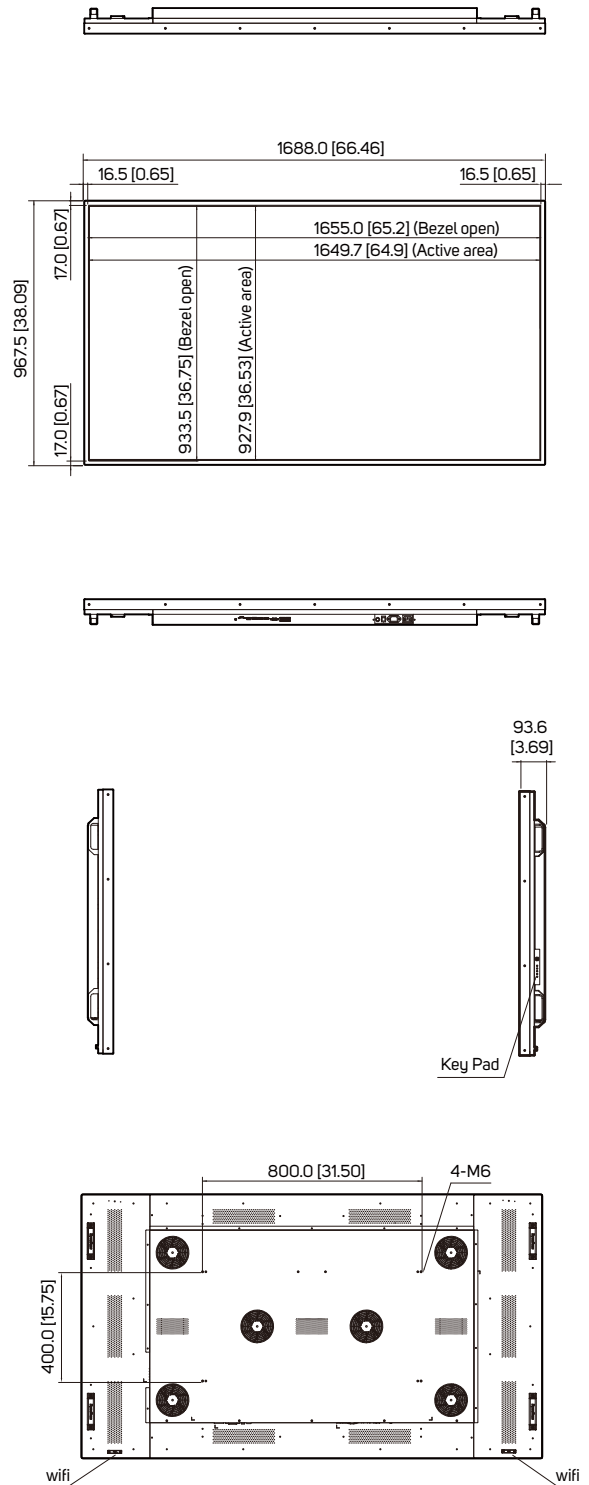
Android is a trademark of Google LLC.
The Android robot is reproduced or modified from work created and shared by Google and used according to terms described in the Creative Commons 3.0 Attribution License.

SPECIFICATION

MODEL	DS752LT5	
PANEL	LCD Panel Size	74.52"
	Native Resolution	3840 x 2160
	Brightness	4500 nits
	Color Depth	10 bits
	Contrast Ratio	3000 : 1
	Response Time (Typ.)	8 ms (Typ.)
	Viewing Angle	178° / 178°
	Light Lifetime (Typ.)	100,000 hrs
	Blackening Defect Free	Up to 110°C (230°F)
	Viewable With Polarized Lenses	Yes
POWER	Power Supply	Internal
	Rated Voltage	100-240V ~ 50/60Hz
	Power Consumption (Max.)	420 W / 800 W
	Power Saving Mode	<1 W
AC out	<100 W	
MECHANICAL SPECS	Bezel Width (T/B/L/R)	17.0 / 17.0 / 16.5 / 16.5 mm
	Cabinet Color	Black
	Monitor Dimension (LxHxD)	1688.0 x 967.5 x 93.6 mm
	Monitor Weight	58 kg
	Orientation	Portrait / Landscape
	VESA Mounting (LxH)	800 x 400 mm
	Carrying Handles	Yes
	Language	English
FEATURE	Support SNMP (Up to V3.0)	Yes
	Image Retention Protection	Yes
	Auto Orientation Sensor	Yes
	Ambient Light Sensor	Yes
	Power On/Off Scheduling	Yes
	OSD Menu Rotation	Yes
INPUT	HDMI 2.1 (HDCP 2.3)	x2 (2160p)
	DisplayPort 1.2	x1
	USB 3.0	x1
	Micro SD Slot	x1
OUTPUT	Audio	x1
EXTERNAL CONTROL	RS-232	In x1
	RJ-45	x2 (LAN)
	ETK Port (Thermal)	x1
	ESK Port (IR, Ambient)	x1
ENVIRONMENT	Operating Temperature	0° ~ 45° C
	Storage Temperature	-20° ~ 60° C
	Humidity	10% ~ 80% RH Non-condensing
INTERNAL PLAYER	Operating System	Android 8.0.0
	Processor	Dual-core A73 and dual-core A53
	Clock Speed	1.5GHz
	Main Memory Interface	DDR4, 2G
	Graphics	Quad-core MaliG51
	Storage	Internal: 16GB eMMC Flash External: Support Micro SD ,Up to 32GB(exFAT) /128GB(FAT32)
	Multimedia	4K 10bits VP9/H265/H264 video decoders, up to 60fps 1080P other video decoders (VC-1, MPEG-1/2/4, VP8)
	Wi-Fi Specification	802.11b/g/n 2412.0MHz - 2462.0MHz
CERTIFICATION	CE / FCC / RoHS	

DIMENSIONS

Unit: mm [inch]



INTERFACE

