

Your warranty

Adder Technology Ltd warrants that this product shall be free from defects in workmanship and materials for a period of two years from the date of original purchase. If the product should fail to operate correctly in normal use during the warranty period, Adder will replace or repair it free of charge. No liability can be accepted for damage due to misuse or circumstances outside Adder's control. Also, Adder will not be responsible for any loss, damage or injury arising directly or indirectly from the use of this product. Adder's total liability under the terms of this warranty shall in all circumstances be limited to the replacement value of this product.

Regulatory information

European EMC directive 89/336/EEC

CE This equipment has been tested and found to comply with the limits for a class A computing device in accordance with the specifications in the European standard EN55022. These limits are designed to provide reasonable protection against harmful interference. This equipment generates, uses and can radiate radio frequency energy and if not installed and used in accordance with the instructions may cause harmful interference to radio or television reception. However, there is no guarantee that harmful interference will not occur in a particular installation. If this equipment does cause interference to radio or television reception, which can be determined by turning the equipment on and off, the user is encouraged to correct the interference with one or more of the following measures: (a) Reorient or relocate the receiving antenna. (b) Increase the separation between the equipment and the receiver. (c) Connect the equipment to an outlet on a circuit different from that to which the receiver is connected. (d) Consult the supplier or an experienced radio/TV technician for help.

FCC statement

This equipment generates, uses and can radiate radio frequency energy and if not installed and used properly, that is, in strict accordance with the manufacturer's instructions, may cause interference to radio communications. It has been tested and found to comply with the limits for a Class A computing device in accordance with the specifications in Subpart J of part 15 of FCC rules, which are designed to provide reasonable protection such interference when the equipment is operated in a commercial environment. Operation of this equipment in a residential area may cause interference, in which case the user at his own expense will be required to take whatever measures may be necessary to correct the interference. Changes or modifications not expressly approved by the manufacturer could void the user's authority to operate the equipment.

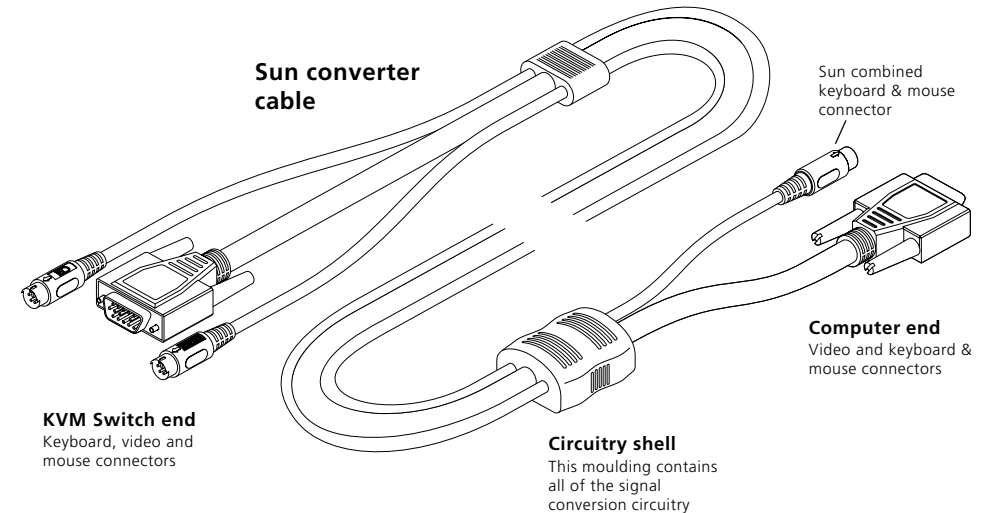


Sun[®] Converter Cable

User Guide

Your Sun converter cable package

In addition to this brief guide, your package should contain the converter cable:



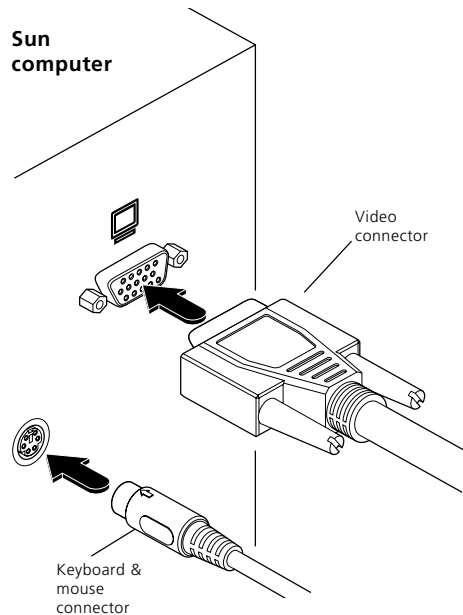
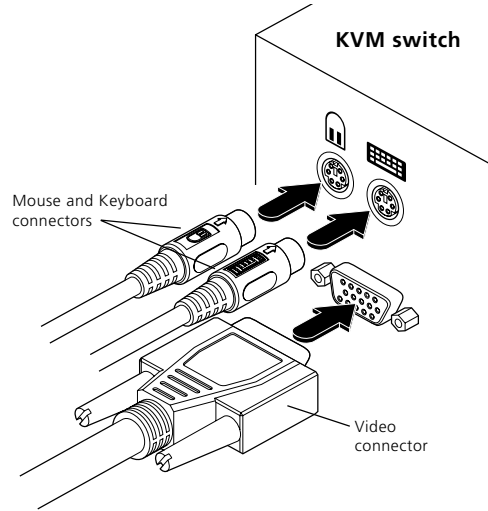
Connecting your Sun[®] converter cable

Your converter cable is primarily designed for use with a Sun computer and a traditional Keyboard, Video and Mouse (KVM) switch unit.

Note: It is technically possible to connect your PS/2-style keyboard, PS/2-style mouse and monitor directly to the converter cable. However, you would first need to purchase separate gender changers for the PS/2 keyboard and mouse connectors and possibly one also for the video connector.

To connect your Sun converter cable

- 1 If possible, switch off your computer(s) and KVM switch.
- 2 At the end of the converter cable that has three plugs, connect the keyboard, mouse and video plugs to the relevant sockets on your KVM switch.







- 3 At the other end of the converter cable (with two plugs), connect the video and Sun keyboard & mouse plugs to the relevant sockets on your computer.
- 4 Switch on your computer(s) and KVM switch, and operate in the usual manner.

Note: If you are using your Sun converter cable in conjunction with an Adder MP-type KVM switch no further action is required to ensure correct operation. However, with other Adder switches or non-Adder switches, you need to instruct your Sun converter cable to declare a valid keyboard country code to the system. Further details about this feature are provided in the upgrade notes available from www.adder.com.

Your Sun converter cable emulates the presence of a keyboard and mouse to the computer at all times. This means that there will be no delay in response when switching to this channel.

Connector/port icons & colours

| | | |
|-----------------|--|-----------|
| Monitor (video) |  | Dark blue |
| Keyboard |  | Purple |
| Mouse |  or  | Mid green |

Important information

- For use in dry, oil free indoor environments only.
- Your Sun converter cable contains no user-serviceable parts.
- For connection only to Sun computer systems and KVM switch connectors.

Software upgrades, country codes & keypresses

Your Sun converter cable can be upgraded to take advantage of feature improvements and operation changes that may become available in the future. Additionally, it can also be made to declare a particular keyboard country code when used with legacy KVM switches.

The necessary upgrade and keyboard files are made available within the Support section of the Adder Technology website - www.adder.com. Full instructions for performing an upgrade/keyboard emulation are included with the files from the website.

Keypress equivalents

The tables below provide equivalent keypresses on a standard PC (PS/2-style) keyboard that emulate special keys

| PS/2 keyboard | Sun keyboard |
|--------------------|--------------|
| Right-[Ctrl] [F1] | Stop |
| Right-[Ctrl] [F2] | Again |
| Right-[Ctrl] [F3] | Props |
| Right-[Ctrl] [F4] | Undo |
| Right-[Ctrl] [F5] | Front |
| Right-[Ctrl] [F6] | Copy |
| Right-[Ctrl] [F7] | Open |
| Right-[Ctrl] [F8] | Paste |
| Right-[Ctrl] [F9] | Find |
| Right-[Ctrl] [F10] | Cut |
| Right-[Ctrl] [1] | Mute |
| Right-[Ctrl] [2] | Volume - |
| Right-[Ctrl] [3] | Volume + |
| Right-[Ctrl] [4] | Power* |
| Right-[Ctrl] [H] | Help |

* Certain PS/2 keyboards have a power key which will be mapped to perform the same function for a Sun system.

When used with MP-type switches

When you use your Sun converter cable with an Adder MP-type KVM switch, the cable intelligently interacts with the switch. During this interaction, the cable gathers information (such as the keyboard country code) from the switch and passes it through to the connected Sun system. As the default settings on the MP-type switch are all automatic, this makes the whole system fully 'plug and play' for the majority of installations.